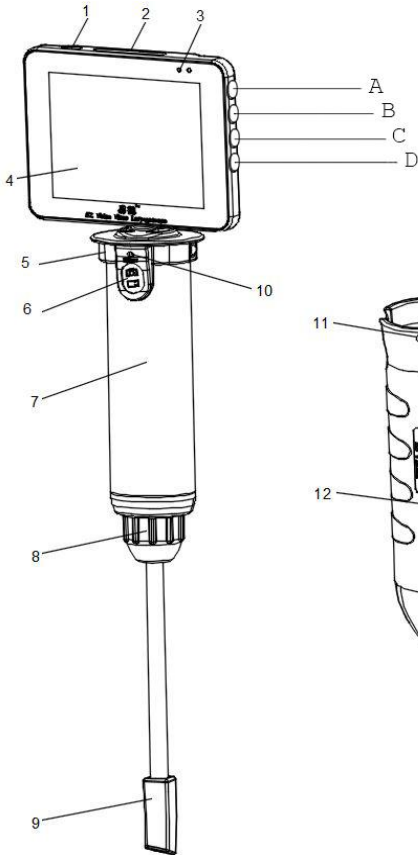




Conlett Optimal Vision Video Laryngoscope



Key to Laryngoscope features:

1. USB charge port
 2. Memory card
 3. Charge indicator
 4. LCD screen
 5. Blade locking
 6. Quick photo/video
 7. Handle
 8. Blade size adjustment
 9. Camera
 10. Reset
 11. Lock port
 12. Disposable blade
(Mac 2, Mac 3, and Mac 4 sizes available)
- A. Power (hold for 5 seconds)/
Select button
- B. Menu / Return button
- C. Scroll Up button
- D. Scroll Down button

- Provides high clarity with effective anti-fog imaging.
- One laryngoscope accepts three blade sizes
- Assimilated "C" blade design
- Adjustable screen provides direct view
- Record images and video with a press of a button
- 1.3MP video image provides a detailed view

BLADE SIZES AVAILABLE

ORDER#	BLADE SIZE
COVB/MAC2	Mac 2
COVB/MAC3	Mac 3
COVB/MAC4	Mac 4